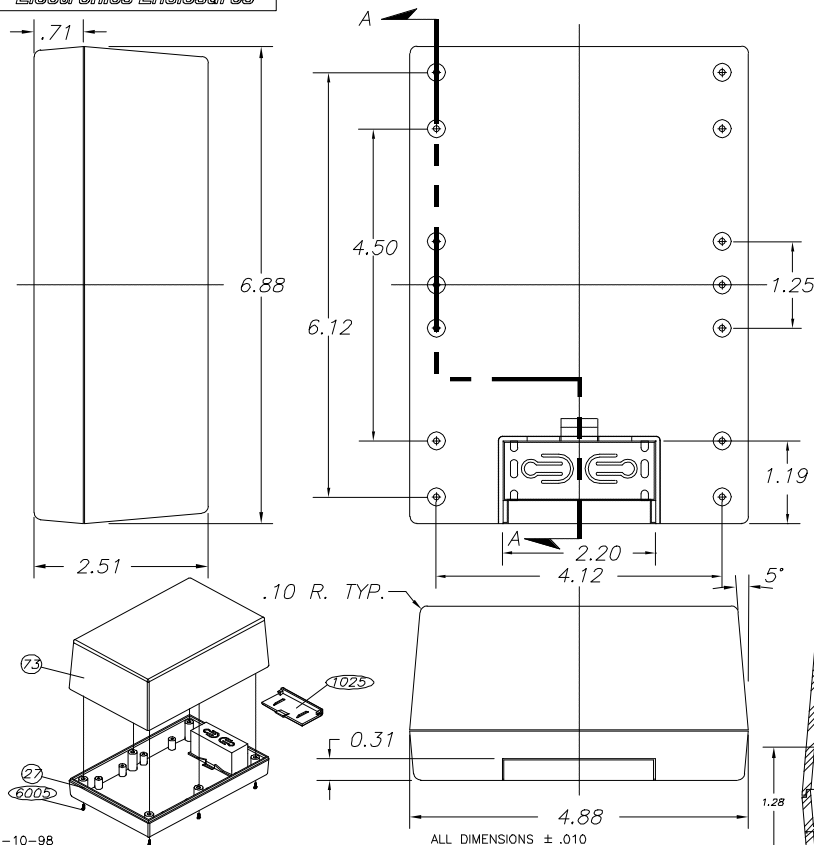
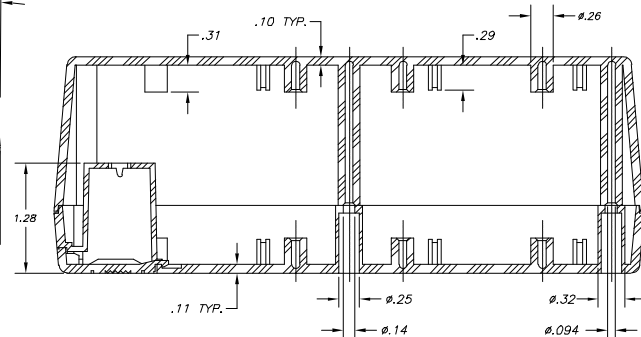
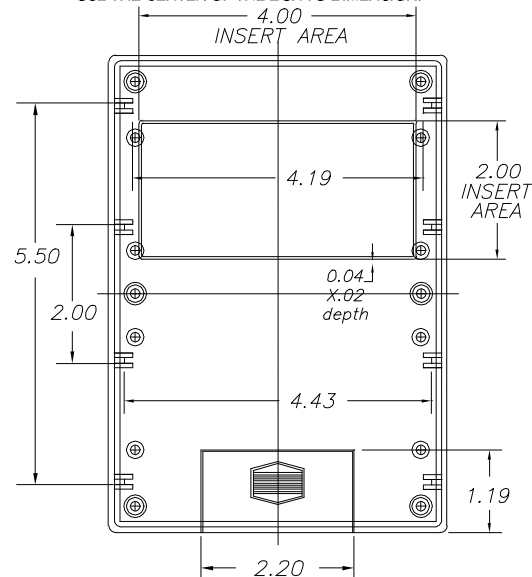


SERPAC 273

Electronics Enclosures



NOTES:
 1. WHEN MACHINE OR I PLATES MODIFICATIONS ARE REQUIRED, USE THE CENTER OF THE BOX TO DIMENSION.



9-10-98

ALL DIMENSIONS ± .010

PART NO.	DESCRIPTION	PART NO.	DESCRIPTION
73	PLASTIC TOP	50	FEET
27	PLASTIC BOTTOM	379	PROTOTYPE GRID BOARD (HORIZ.)
1025	PLASTIC BATTERY COVER	479	PROTOTYPE CLAD BOARD (HORIZ.)
6005	SCREWS (6)	373	PROTOTYPE GRID BOARD (VERT.)
		473	PROTOTYPE CLAD BOARD (VERT.)

SECTION A-A